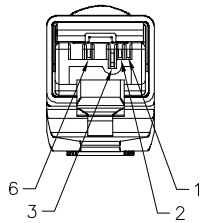


MALE END VIEW

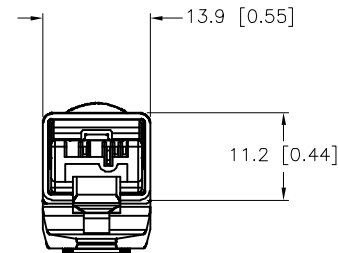
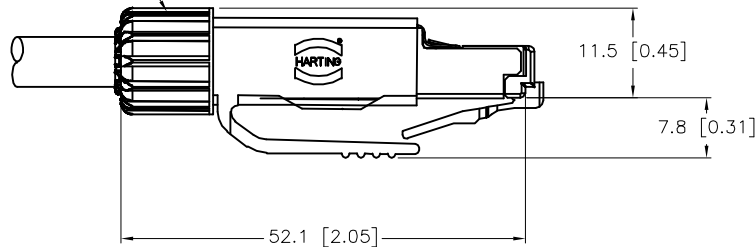


SPECIFICATIONS


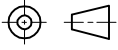
HOUSING MATERIAL/COLOR	POLYCARBONATE/BLACK UL 94-V0, UV RESISTANT acc. to UL 746c
PROTECTION LEVEL	IP 20
MATING INTERFERENCE	RJ45 in accordance with IEC 60603-7
WIRE GAUGE DATA	22-24 AWG, STRANDED 22-23 AWG, SOLID
OPERATING TEMPERATURE	-40°C to +70°C (-40°F to +158°F)
CABLE SHEATH DIAMETER	6.5mm - 6.9mm
MATING CYCLES	MIN. 750



M10 NUT WITH CABLE CLAMPING



SOURCE DRAWING - FOR REFERENCE ONLY

RELATED DOCUMENTS		3RD ANGLE PROJECTION		THIS DRAWING IS CONFIDENTIAL AND THE PROPERTY OF TURCK INC. USE OF THIS DOCUMENT WITHOUT WRITTEN PERMISSION IS PROHIBITED.		 3000 CAMPUS DRIVE MINNEAPOLIS, MN 55441 1-800-544-7769 (763) 553-7300 (763) 553-0708 fax www.turck.us	
1.				DRFT RDS		DATE 03/29/06	
2.				DSGN		SCALE 1=1.0	
3.		ALL DIMENSIONS DISPLAYED ON THIS DRAWING ARE FOR REFERENCE ONLY		UNIT OF MEASUREMENT		DESCRIPTION	
4.				MILLIMETER [INCH]		CONNECTOR, RJ45S IDC	
MATERIAL		CONTACT TURCK FOR MORE INFORMATION		IDENTIFICATION NO.		REV	
FINISH				U3-00777		A	
A DRAWING RELEASE		RDS 03/29/06		DO NOT SCALE THIS DRAWING		FILE: U3-00777	
REV DESCRIPTION		BY DATE ECO NO.				SHEET 1 OF 1	